

Ariana Tajhiz Espinas

Dental



2018

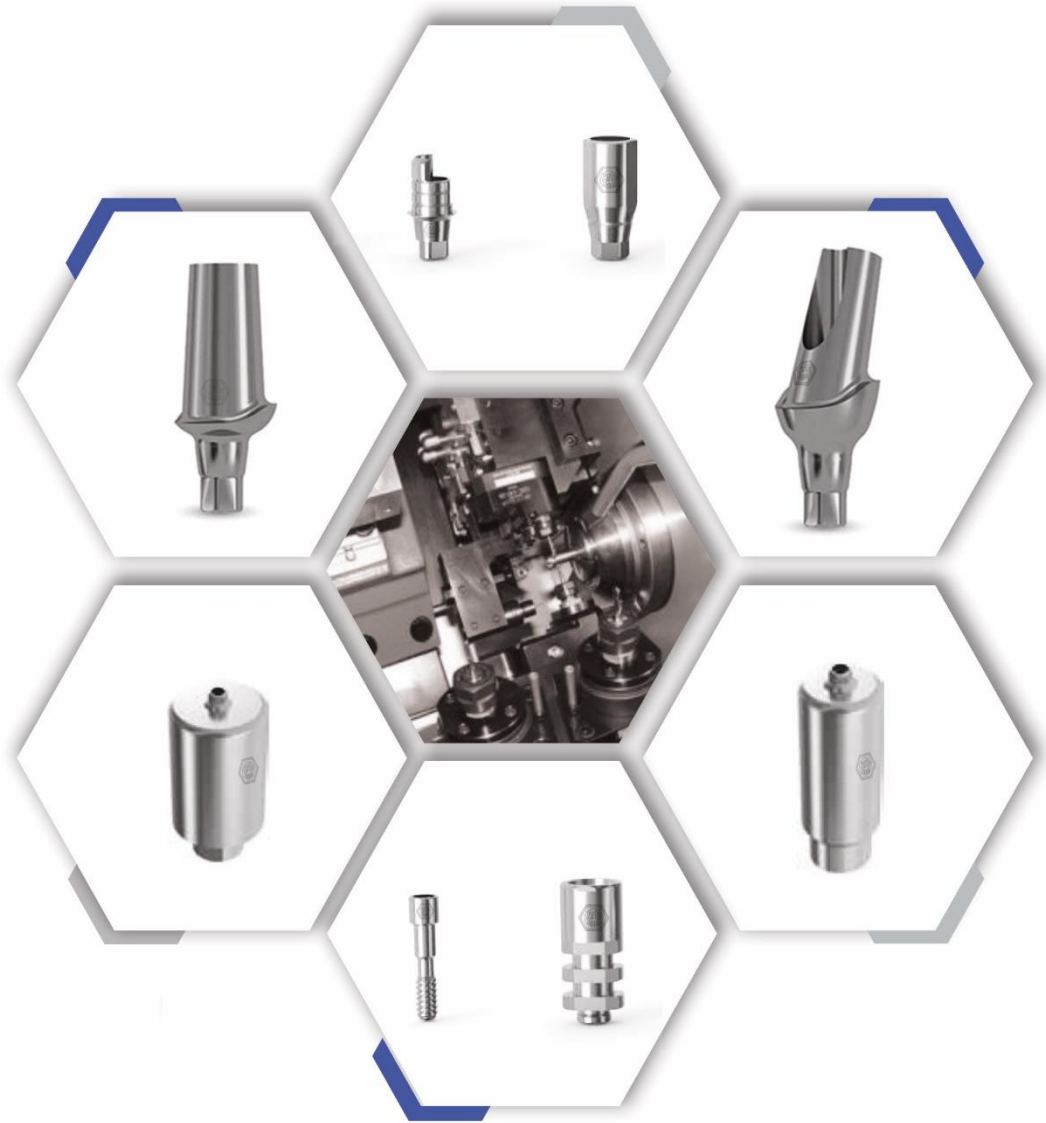
www.DentPlanIran.com

About Us

Ariana Takhiz Spinas Co. with its extensive activity in the field of health has been working on providing patients and doctors with necessary support for spinal column products and helping them in therapy process, with a team of faculty members from universities and teams active and adequate in various administrative, commercial, technical, sales, store and etc. which each with a targeted management program, while distributing the products and the patients and doctors appropriately and helping to cure a numerous dear compatriots about spinal implants with support of organizations, governmental and non governmental agencies and institutions although, small in introducing modern products in the field of medical equipment, and by localizing the technical knowledge of the production of these products in the country and registration of moral property, the production of spinal implants and allograft bio implants are among our goals with the help of God in the future, the company will be present of products manufactured in the health field of the country.



The **World Class Manufacturing** is our mission



ARTE DENT offers Screws, Analogs, Ti-bases, Model Scanbodies, Intraoral Scanbodies, Premilled Blanks, 7 different lines of milling machine and more.

We use the brand-new CNC machines to produce its components, and all our components are inspected individually. We even have been inspecting not only at the surface level of our product but also at the unseen sides such as screw thread.

Like this, we make our best efforts to convince the belief that **ARTE DENT** is the highest quality ever.

Also, we try to keep constant quality of its products through a steady calibration and maintenance with control measuring

equipment. Our facilities are furnished with separated washing room, clean room and storage.

The use Ti 6AL-4V ELI (ASTM F 136) as a material of Premilled Blank, Ti-base, Screw prevents any side effect and increases durability, making possible to maintain the life of the prosthesis for a long time.

With superior technical skills, **ARTE DENT** components are fully compatible with products of most implant companies all over the world.

ARTE DENT keeps developing all its product lines with the best quality and precision to its customers worldwide.



PRODUCT INTERODUCTION













Raw Material

Ti 6Al-4V ELI (ASTM F 136)

Supplied by Switzerland

- Precision, Intensity of Illumination
- Same as the original screw design
- Implement inspection with 150% value of original torque
- All hand inspection of thread part



SIZE	IMPLANT SYSTEM	RECOMMENED TORQUE
 Ball Torx	ALL IMPLANT SYSTEM FOR DISK ANGULATED SCREW CHANNELS	20 Ncm
 Ball Hex	IMPLANT SYSTEM FOR TI-BASE ANGULATED SCREW CHANNELS	20 Ncm
 Hex 1.0	DENTSPLY® <i>Ankylos</i> ®	15 Ncm
 Hex 1.2	BIOMET 3i® <i>External</i> ® / <i>Certain</i> ®, COWELLMEDI® <i>INNO Internal</i> , DENTSPLY® <i>Xive</i> ®, DIO® <i>UF</i> , Global D® <i>Tekka</i> ®, MEGAGEN®, MEGAGEN® <i>EZ Plus / Rescue</i> , NEOBIOTECH®, OSSTEM® <i>GS(TS) / US / SS</i> , SHINHUNG®, SIC <i>Invent</i> ®, WARANTEC® <i>Oneplant</i>	20 Ncm
 Hex 1.25	BEGO®, BIOHORIZONS® <i>External</i> ® / <i>Internal</i> ®, DENTIS®, KEYSTONE <i>Prima Connex</i> ®, LASAK <i>Bioniq</i> ®	30 Ncm
 Hex 1.27	ADIN® <i>CLOSEFIT</i> ™, ADIN® <i>TOUAREG</i> ™ <i>S&OS</i> , ALPHABIOTEC® <i>Internal Hex</i> , ANTHOGRY®, ASTRA TECH™, CAMLOG®, CAMLOG® <i>Conelog</i> , CORTEX®, C-TECH®, DEEP®, DENTIUM®, EBI®, IMPLANT DIRECT® <i>Legacy</i> ™, MIS® <i>C1 / Internal Hexagon</i> , ZIMMER®, ZIMMER® <i>Tapered Screw-Vent</i> ® / <i>Spline A / Spline B</i>	30 Ncm
 Hex 1.3	ASTRA TECH™ <i>EV</i> ™, DYNA®, KENTEC®, PLATON®	30 Ncm
 Torx	STRAUMANN® <i>Bone Level</i> ® <i>Screw Retained Abutment</i> ® / <i>synOcta</i> ®	35 Ncm
 Torx	NEOSS <i>Pro Active</i> ®	35 Ncm
 Torx	NOBEL BIOCARE® <i>Active</i> ™ / <i>Branemark</i> ® / <i>Replace Select</i> ™	35 Ncm

Raw Material

Stainless Steel 303F

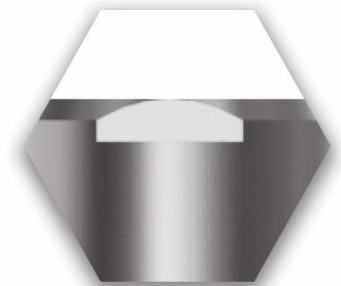
- Reproducibility
- Precision machined up to $\pm 5\mu$
- For 3D print & stone model



Level Stopper
3D print & stone model



Antirotate Design



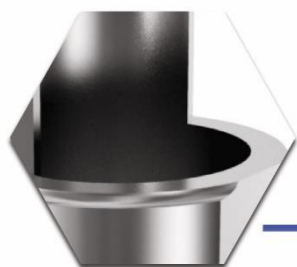
Position Indicator
3D print & stone model

Raw Material

Ti 6Al-4V ELI (ASTM F 136)

Supplied by Switzerland

- Titanium Interface Abutment
- Combination of high fatigue strength
- Superior level of biocompatibility



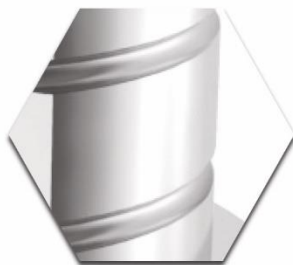
Prevention of Zirconia Rotation



Precision machined up to $\pm 5\mu$



The cut side surface and Hex part surface in the image are same direction



Exterior retentions for more cementation bonding

Warranty

All **ARTE DENT** prosthetic components include a 20 year warranty from delivery. The prosthetic components will be replaced if removal of that product is due to failure.

Simply Smarter

2 Screws Included



[Straight channel screw]



[Angled channel screw]



Model Scanbody

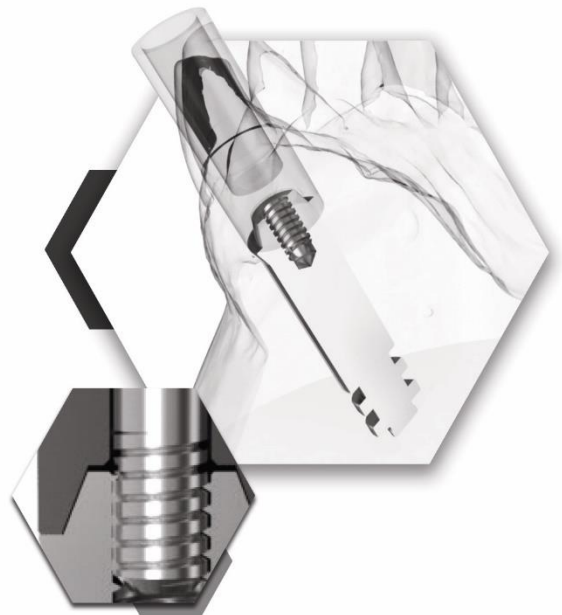
Raw Material

Stainless Steel 303F

- High Accuracy
- Free Library Setup by Remote Support
- Various Types



High Accuracy









Section View

Raw Material

Ti 6Al-4V ELI (ASTM F 136)

Supplied by Switzerland

- Easy to Sterilize


	Ø4	Ø5	Ø6
Holder			
Shape			
4mm	Ø4 - 4mm	Ø5 - 4mm	Ø6 - 4mm
6mm	Ø4 - 6mm	Ø5 - 6mm	Ø6 - 6mm
8mm	Ø4 - 8mm	Ø5 - 8mm	Ø6 - 8mm

Holder

With the **ARTE DENT** intraoral scanbody holder, users can secure the intraoral scanbody to the implant fixture easily and quickly, even when inserting into difficult positions, such as the most distal molar, users are always able to secure the intraoral scanbody with ease.

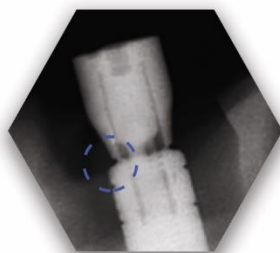
Line

Existing intraoral scanbodies in the market do not have any way to indicate to the operator whether intraoral scanbody has been inserted completely. This can result in a failure of the final prosthesis.

ARTE DENT intraoral scanbody's  line provides an indicator to the operator to check for a complete connection to the implant fixture and thereby ensuring more accurate prosthesis.



[Ø5 x 6mm intraoral scanbody]



[ARTE DENT Intraoral Scanbody]



[Other Intraoral Scanbody]

Inner Thread









There is a spiral line in a intraoral scanbody, so it prevents detachment and loss of screw by itself once screw is tightened.

Lab Driver



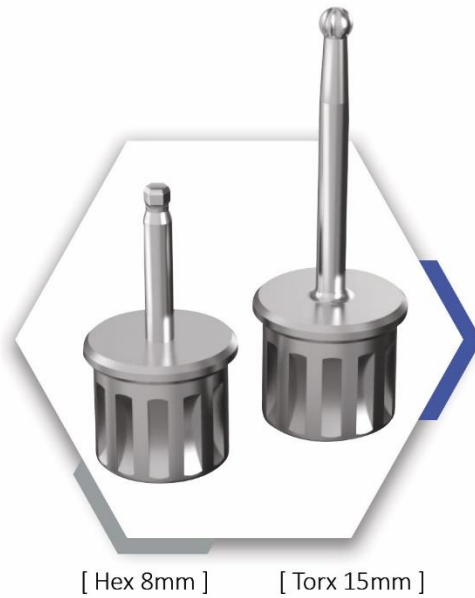
- Convenient for use with untouchable driver part
- Easy to exchange tips
- Heat treated
- 'Brinell hardness' is higher than 55

* Two Different LAB Driver lengths of 16mm, 30mm

		SHAPE	COLOR	RECOMMENDED TORQUE
	Ball Torx		Orange	20 Ncm
	Ball Hex		White	20 Ncm
	Hex 1.0		Blue	15 Ncm
	Hex 1.2		Purple	20 Ncm
	Hex 1.25		Black	30 Ncm
	Hex 1.27		Red	30 Ncm
	Hex 1.3		Green	30 Ncm
	Torx		Brown	35 Ncm
	Star		Yellow	35 Ncm

Clinic Ball Driver

- Ball Driver compatible with Straumann ratchet Wrench
- Available in surgical stainless steel
- Can be cleaned easily and thoroughly
- Heat treated
- For angled screw channel
- 'Brinell hardness' is higher than 55



SIZE	LENGTH	ORDER CODE	IMPLANT SYSTEM	RECOMMENDED TORQUE
 Ball Torx	15mm	BT1715	ALL IMPLANT SYSTEM FOR DISK ANGULATED SCREW CHANNELS	20 Ncm
	8mm	BT1708		
 Ball Hex	15mm	BH1215	IMPLANT SYSTEM FOR TI-BASE ANGULATED SCREW CHANNELS	20 Ncm
	8mm	BH1208		



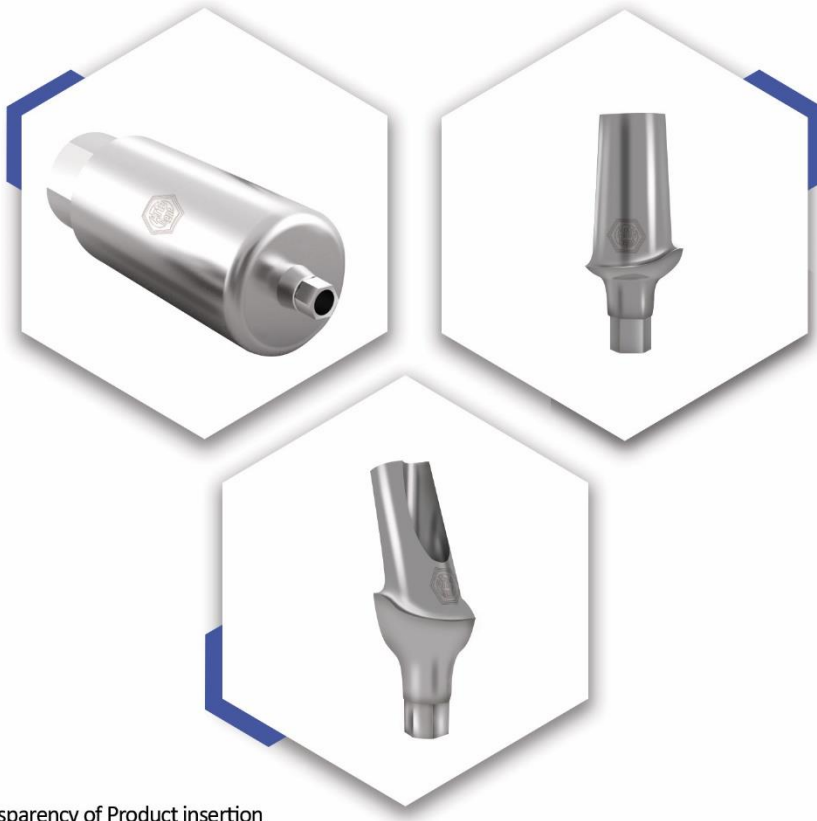
Pre - milled Blank

Raw Material

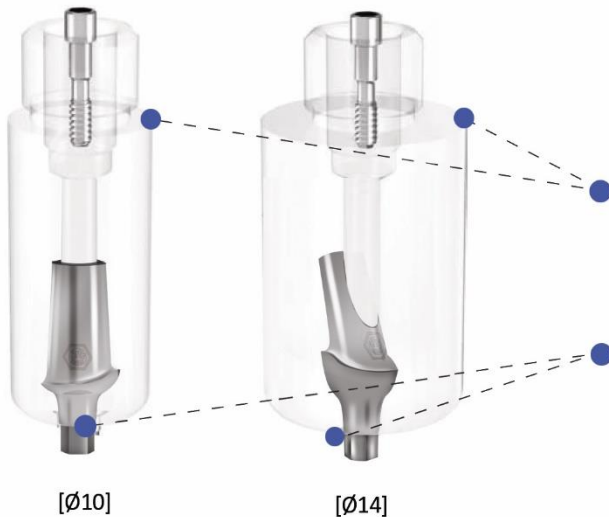
Ti 6Al-4V ELI (ASTM F 136)

Supplied by Switzerland

- Almost 400 Implant Connections
- Precision machined up to $\pm 5\mu$
- Easy to mill



Show the transparency of Product insertion



In order to ensure possible variability, two types of diameter are available, Ø10 and Ø14

Optimal and untouchable interface area will give you high precise result and quality.